

Assembly Instructions

INSTRUCTIONS D'INSTALLATION

4096 - Arc Floor Lamp
4097 - Arc Shade Floor Lamp

Important

• **Always disconnect the power before installing or replacing bulbs and before cleaning or other maintenance.**

1. Line up the locator pin (S) to the washer (T2) and base holes, attach the stem (O), washers (T1, T2) to the base (V), secure with the washers (W, X, Y) and threaded stem (Z) using the wrench (U) (included).
2. Insert the stem 2 connector (G) into stem 3 (O) and use the large allen key (I) (included) to tighten the set screws (J).

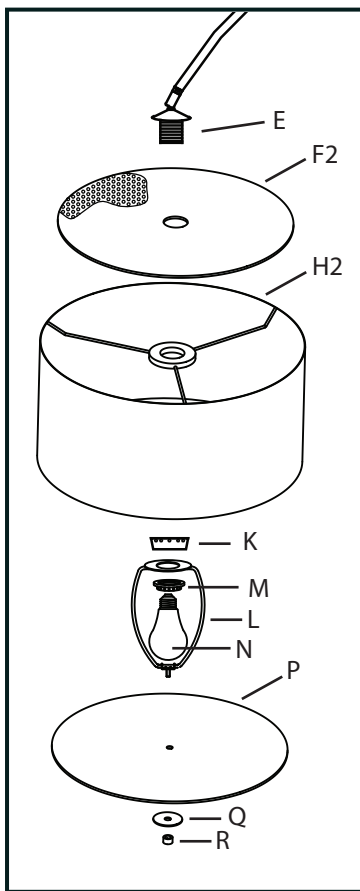
Note: Loosen the set screws (J) to adjust the height of the lamp.

3. Insert stem 1 (C) into stem 2 (D) and use the small allen key (A) (included) to tighten the set screws (B).
4. Remove the spacer (K) and socket ring (M) from the socket (E).
5. Install shade and diffuser:

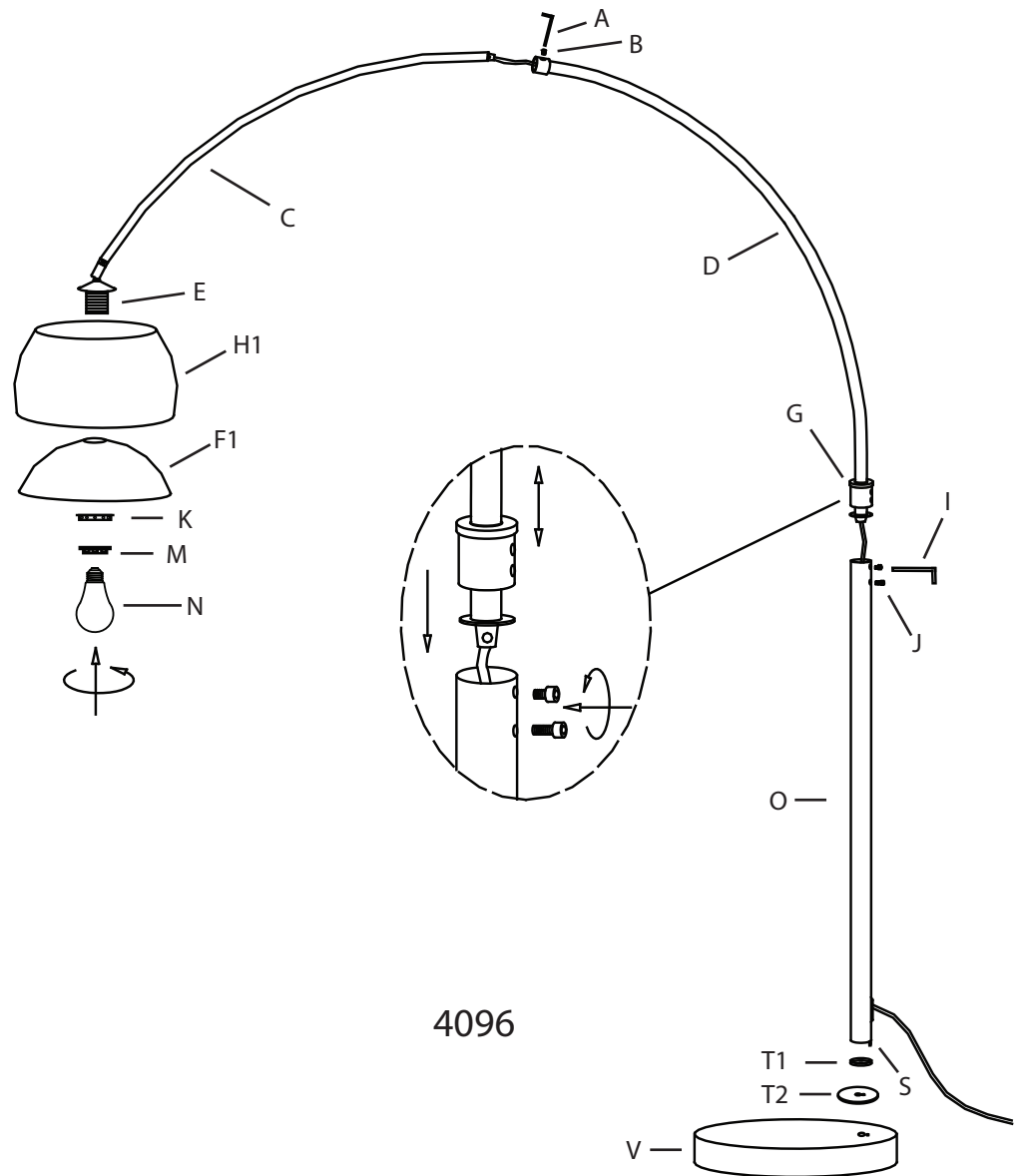
4096: Attach metal shade (H1) and glass shade (F1) to the socket (E), and secure with spacer (K) and socket ring (M).

4097: Attach diffuser (F2), shade (H2), spacer (K), and harp (L) to the socket (E), and secure with socket ring (M).

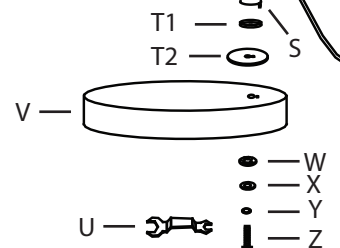
6. Install a 100W medium base bulb (N) (not included).
7. **4097 only:** Attach the glass (P) and flat plate (Q) to the harp (L) and secure with the finial (R).
8. Plug in the cord. Dimmer switch is located on the cord.



4097



4096



Care Instructions

- **Dusting:** Use a clean, dry cloth.
- **Cleaning:** To protect the finish, avoid any harsh abrasives or chemicals.