

**Important: Always disconnect the power before installing or replacing bulbs and before cleaning or other maintenance.**

This light should be installed by a licensed electrician

## LAMP INSTALLATION AND ASSEMBLY

1. Shut off power to the outlet box. (fig. A)
2. Attach the mounting plate to the outlet box, secure with outlet box screws.
3. Make appropriate electrical connections using wire nuts:
  - a. Connect the fixture's live wire (black) to the live outlet box wire.
  - b. Connect the fixture's neutral wire (white) to the neutral outlet box wire.
  - c. Connect fixture's ground wire (green or uncoated) to the ground outlet box wire. If no ground is present in outlet box, connect fixture's ground wire to the mounting plate using the green screw (included).
  - d. Carefully place connections in outlet box.
4. Attach the canopy to the mounting plate, secure with cap nuts.
5. Install 60W E12 Candelabra base bulbs (not included).
6. Place one edge of the glass into the slot on cover 2. Grasp the sides of cover 1, pull it out (Fig. B), and tip the glass up to align the edge of the glass with the slot in cover 1. Release cover 1 to secure the glass.
7. Restore power to the fixture.

## CARE INSTRUCTIONS

Dusting – Use a clean, dry cloth.  
Cleaning – To protect the finish, avoid any harsh abrasives or chemicals.

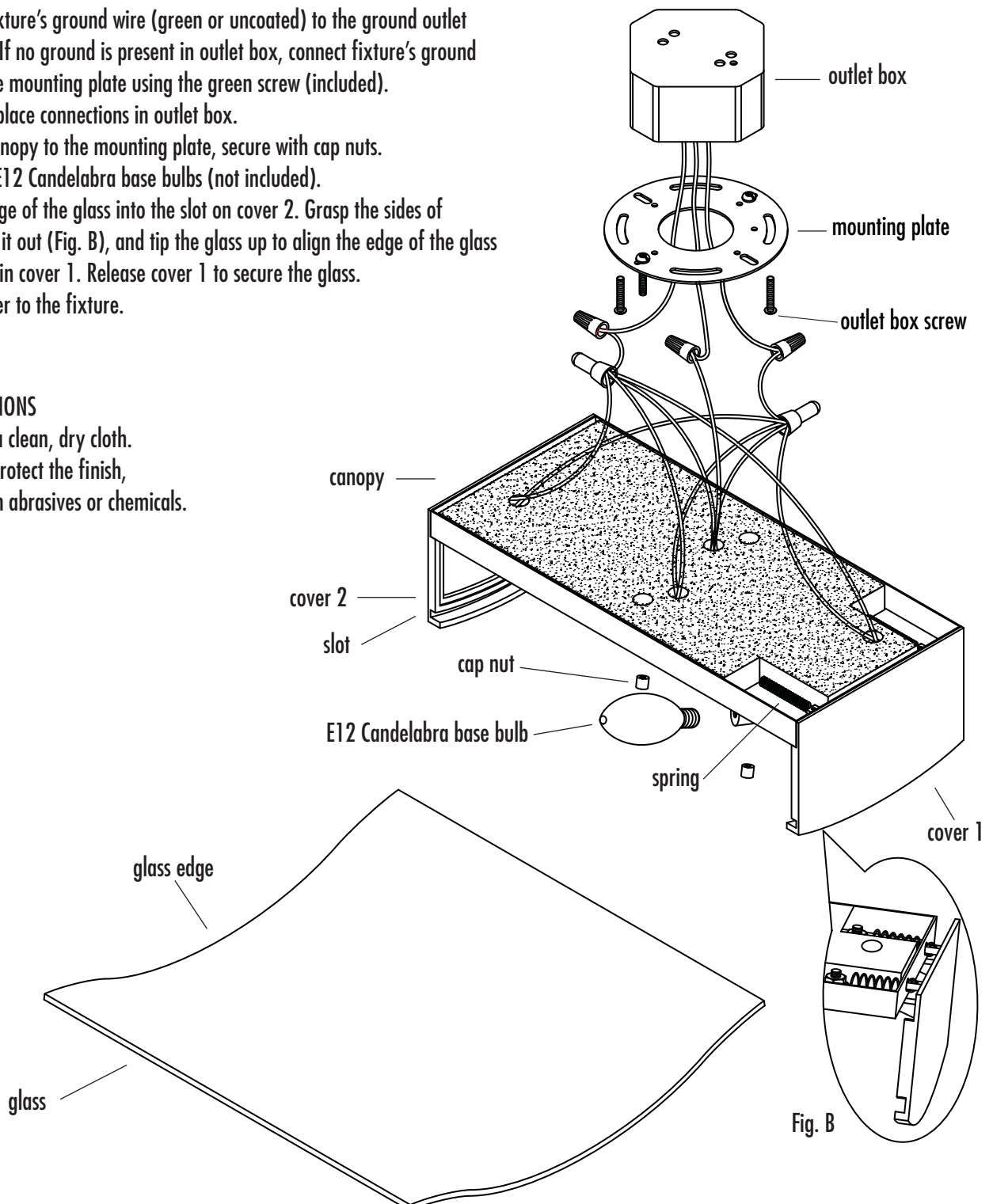
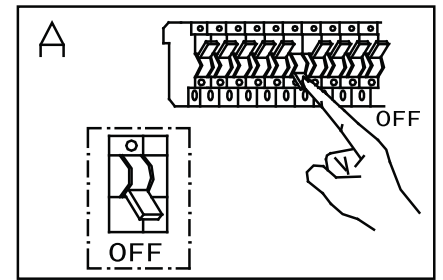


Fig. B