

LED Product Information and Warnings

Important

- **Always disconnect the power before installing or replacing bulbs and before cleaning or other maintenance.**
- Please read all included assembly instructions and warnings carefully before installation. Contact Customer Service if you have any questions or concerns. Before installation, please confirm that the fixture is compatible with your supply voltage and dimming system, if present.
- LEDs are highly sensitive electronic devices, and must be treated with care. Do not open any factory sealed compartments, and avoid touching the LEDs with your hands or any object.
- Although all our fixtures are equipped with protective devices, LED fixtures are vulnerable to power surges and supply variations. Do not install LED fixtures on the same circuit as any motors, appliances, or HVAC systems.
- Do not remove or bypass any LED Driver or Transformer that is provided with the fixture, and do not replace or substitute with another power supply.
- Remote LED Driver or Transformer installation must be done by a licensed electrician and in accordance with local codes. Remote installations should be in an accessible location, as close to the fixture as possible.
- Fixtures must be wired in parallel on independent leads; do not "daisy chain" multiple fixtures together or wire them in series.
- All factory-made splices and connections must remain intact. LED circuits are carefully designed and built, and improper connections may damage the fixture.
- The ends of coaxial pendant cords have been precisely stripped and split at the factory and must not be field cut. Excess cord or cable should be neatly coiled and reserved in the fixture canopy.
- Any mounting hardware is provided for your convenience and should be used with discretion. Always use the appropriate hardware for the mounting surface.

Assembly Instructions

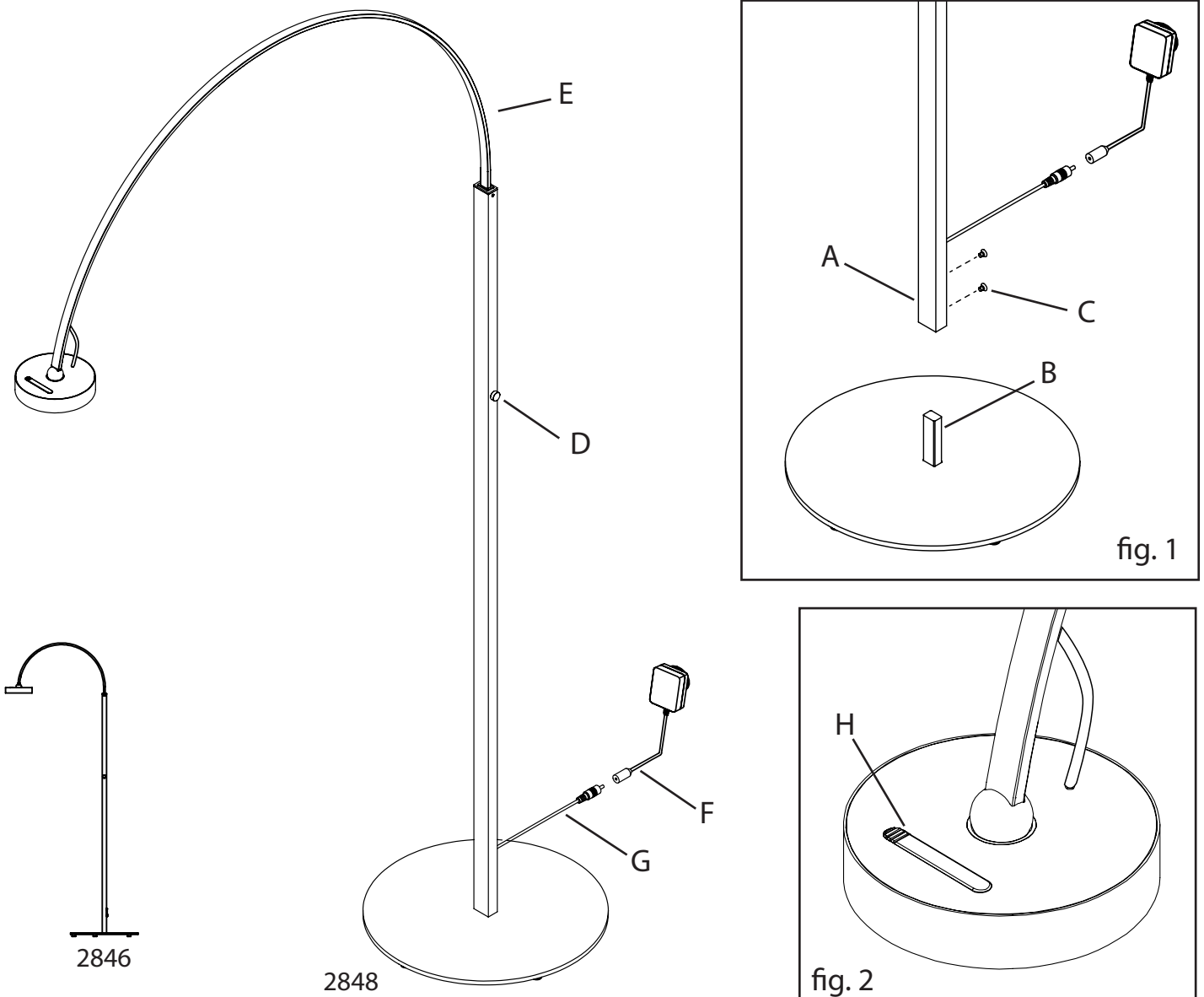
2846, 2848

INSTRUCTIONS D'INSTALLATION

Pluck Series - Small LED Floor Lamp, Large LED Floor Lamp

Important

- Always disconnect the power before installing and cleaning or other maintenance.



1. Insert the bottom of floor lamp upright tube (A) onto the base stem (B), and secure with base screws (C) (fig. 1).
2. Adjust height by loosening the thumbscrew (D) and raising or lowering the curved arm (E). Tighten the thumbscrew to set the height.
3. Connect power supply plug adapter (F) to lamp cord (G). Insert power supply plug into wall outlet.
4. Turn the lamp on by lightly touching the switch (H) on the top face of the lamp head (fig. 2). Adjust the brightness by sliding your finger along the switch or tapping anywhere on the switch. Tap the ribbed end of the switch to turn the lamp off.

Care Instructions

- **Dusting:** Use a clean, dry cloth.
- **Cleaning:** To protect the finish, avoid any harsh abrasives or chemicals.