

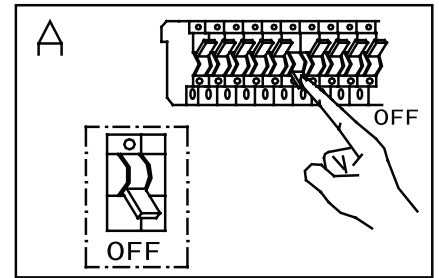
Important: Always disconnect the power before installing or replacing bulbs and before cleaning or other maintenance.

This light should be installed by a licensed electrician

LAMP INSTALLATION AND ASSEMBLY

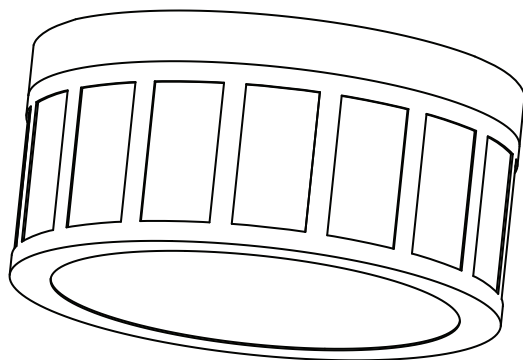
1. Shut off power to the outlet box. (fig. A)
2. Attach the mounting plate to the outlet box, secure with outlet box screws.
3. Make appropriate electrical connections using wire nuts:
 - a. Connect the fixture's live wire (black) to the live outlet box wire.
 - b. Connect the fixture's neutral wire (white) to the neutral outlet box wire.
 - c. Connect fixture's ground wire (green or uncoated) to the ground outlet box wire. If no ground is present in outlet box, connect fixture's ground wire to the mounting plate using the green screw (included).
 - d. Carefully place connections in outlet box.
4. Attach the canopy to the mounting plate, secure with cap nuts.
5. Install fixture to canopy by inserting the mounting posts on canopy into the slots on inner ring of fixture, and twisting the fixture clockwise to lock.
6. Restore power to the fixture.

NOTE: This fixture is dimmable with Electronic Low Voltage (Trailing-Edge) and Incandescent (Leading-Edge) type dimmers. For best performance, we recommend using an Electronic Low Voltage dimmer.

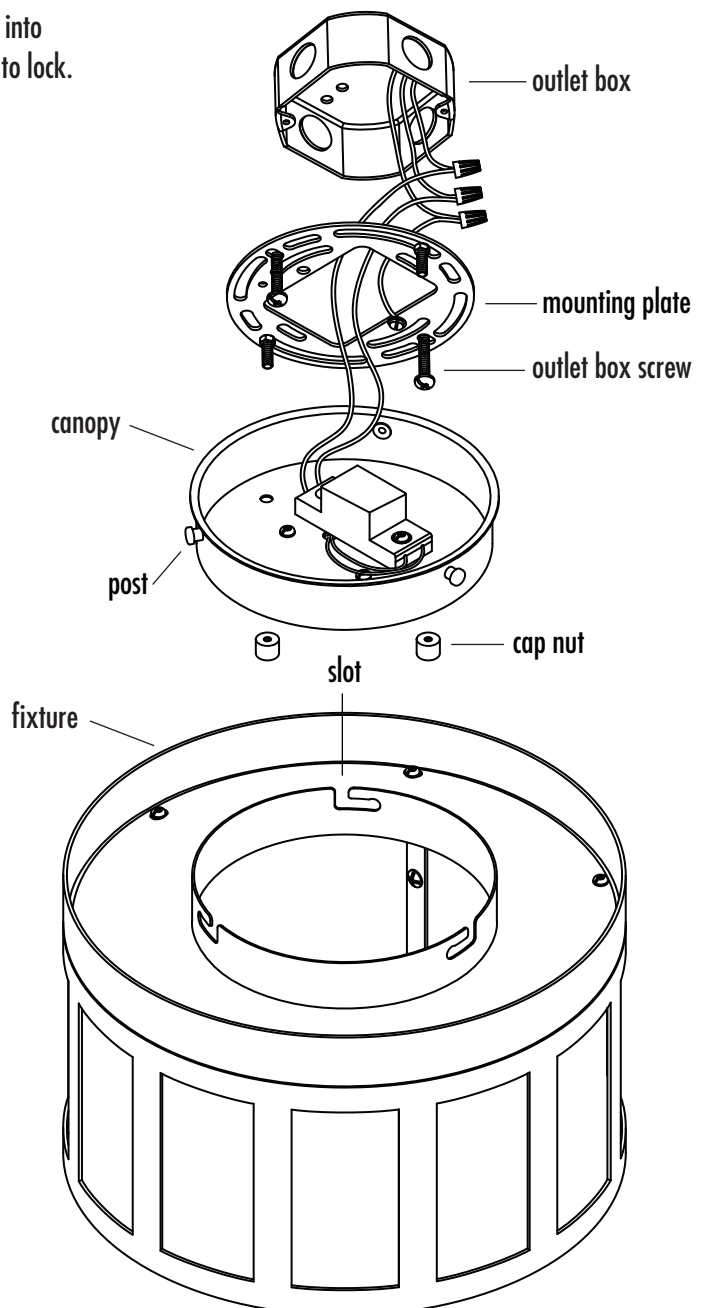


CARE INSTRUCTIONS

Dusting – Use a clean, dry cloth.
 Cleaning – To protect the finish, avoid any harsh abrasives or chemicals.



2525



2524