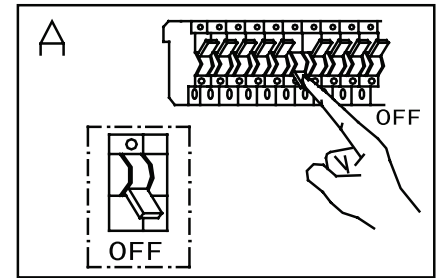


Important: Always disconnect the power before installing or replacing bulbs and before cleaning or other maintenance.

This light should be installed by a licensed electrician

LAMP INSTALLATION AND ASSEMBLY (OPTION 2)

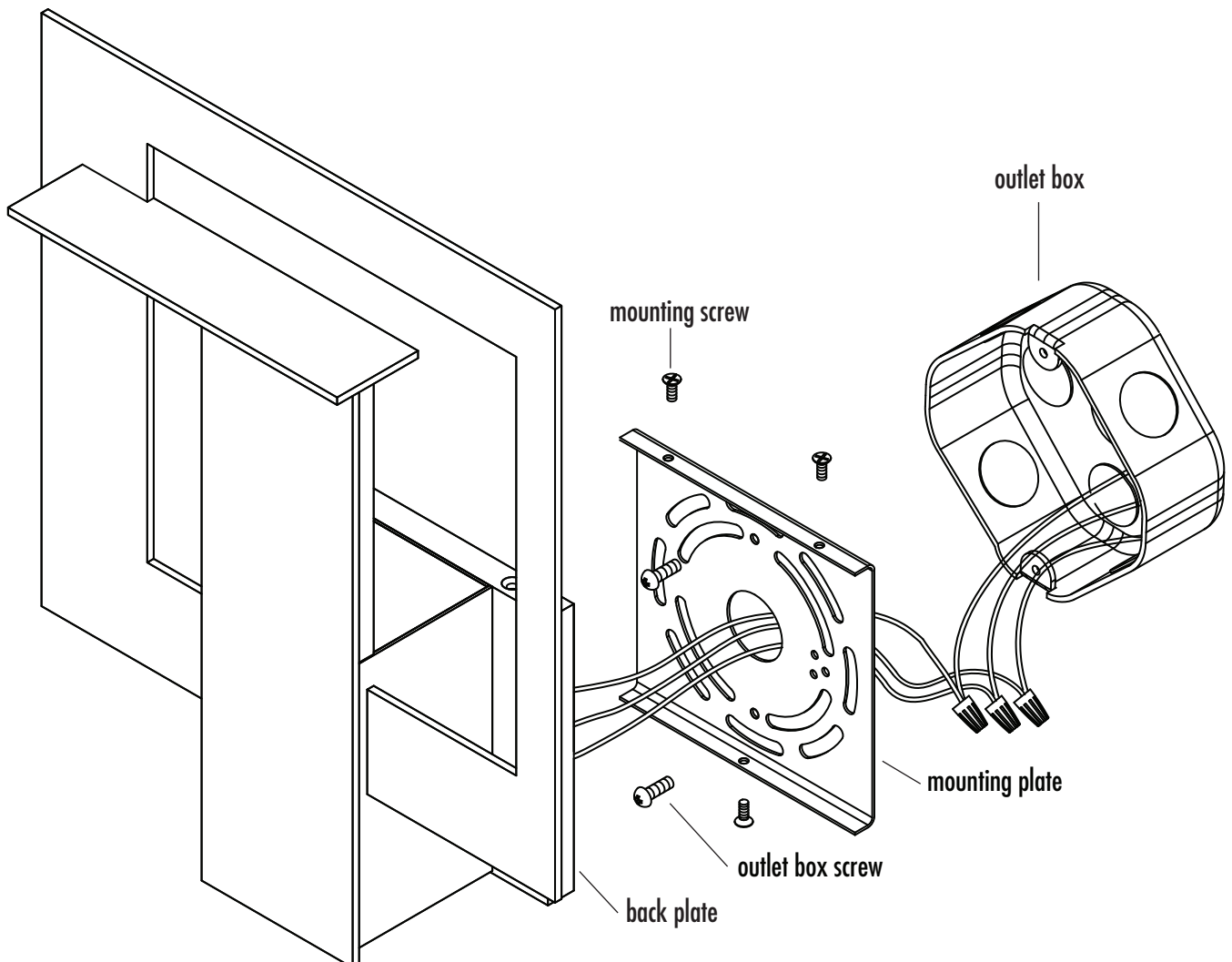
1. Shut off power to the outlet box. (fig. A)
2. Make appropriate electrical connections using wire nuts:
 - a. Connect the fixture's live wire (black) to the live outlet box wire.
 - b. Connect the fixture's neutral wire (white) to the neutral outlet box wire.
 - c. Connect fixture's ground wire (green or uncoated) to the ground outlet box wire. If no ground is present in outlet box, connect fixture's ground wire to the mounting plate using the green screw (included).
 - d. Carefully place connections in outlet box.
3. Attach the mounting plate to the outlet box, secure with outlet box screws.
4. Attach the back plate to the mounting plate, secure with mounting screws.
5. Restore power to the fixture.



CARE INSTRUCTIONS

- Dusting – Use a clean, dry cloth.
Cleaning – To protect the finish, avoid any harsh abrasives or chemicals.

Note: This fixture is dimmable with Electronic Low Voltage (Trailing-Edge) type dimmers only.



Important: Always disconnect the power before installing or replacing bulbs and before cleaning or other maintenance.

This light should be installed by a licensed electrician

LAMP INSTALLATION AND ASSEMBLY (OPTION 2)

Fig. 1

1. Unscrew the mounting screws, remove the mounting plate.
2. Use Allen key (included) to loosen the set screw and remove fixture from back plate. Keep the set screw.
3. Unscrew the pan head screws, remove the pan head screws and back plate. Keep the small mounting plate.

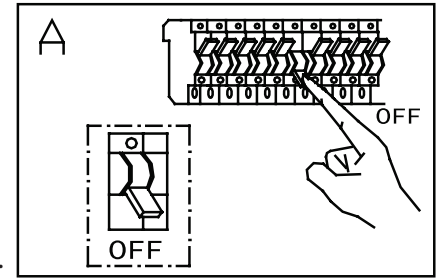


Fig. 2

1. Shut off power to the outlet box. (fig. A)
2. Attach the small mounting plate to wiring conduit using the appropriate adapter and in accordance with local electrical codes, making sure the vertical slot is on top.
3. Secure small mounting plate to wall using appropriate screws/anchors for the wall material.
4. Make appropriate electrical connections using wire nuts:
 - a. Connect the fixture's live wire (black) to the live outlet box wire.
 - b. Connect the fixture's neutral wire (white) to the neutral outlet box wire.
 - c. Connect fixture's ground wire (green or uncoated) to the ground outlet box wire. If no ground is present in outlet box, connect fixture's ground wire to the mounting plate using the green screw (included).
 - d. Carefully place connections in small back plate.
5. Install the small back plate to the small mounting plate by hooking the bar in the small back plate behind the top bend on the small mounting plate, then tipping the small back plate against the wall (Fig. B). Use Allen key (included) to tighten the set screw against the bottom bend on small mounting plate.
6. Restore power to the fixture.

CARE INSTRUCTIONS

Dusting – Use a clean, dry cloth.

Cleaning – To protect the finish, avoid any harsh abrasives or chemicals.

