

# LED Product Information and Warnings

## Important

- **Always disconnect the power before installing or replacing parts and before cleaning or other maintenance.**
- **Consult a qualified, licensed electrician to ensure correct branch circuit conductor.**
- Please read all included assembly instructions and warnings carefully before installation. Contact Customer Service if you have any questions or concerns. Before installation, please confirm that the fixture is compatible with your supply voltage and dimming system, if present.
- LEDs are highly sensitive electronic devices, and must be treated with care. Do not open any factory sealed compartments, and avoid touching the LEDs with your hands or any object.
- Although all our fixtures are equipped with protective devices, LED fixtures are vulnerable to power surges and supply variations. Do not install LED fixtures on the same circuit as any motors, appliances, or HVAC systems.
- Do not remove or bypass any LED Driver or Transformer that is provided with the fixture, and do not replace or substitute with another power supply.
- Remote LED Driver or Transformer installation must be done by a licensed electrician and in accordance with local codes. Remote installations should be in an accessible location, as close to the fixture as possible.
- Fixtures must be wired in parallel on independent leads.
- All factory-made splices and connections must remain intact. LED circuits are carefully designed and built, and improper connections may damage the fixture.
- The ends of the pendant cords have been precisely stripped and split at the factory and must not be field cut. Excess cord or cable should be neatly coiled and reserved in the fixture canopy.
- Any mounting hardware is provided for your convenience and should be used with discretion. Always use the appropriate hardware for the mounting surface.

# Assembly Instructions

2181

## INSTRUCTIONS D'INSTALLATION

Abstract Series - Small LED Surface Mount, Medium LED Surface Mount, Large LED Surface Mount

### Important

- Always disconnect the power before installing or replacing parts and before cleaning or other maintenance.
- Consult a qualified, licensed electrician to ensure correct branch circuit conductor.  
*Consulter un électricien qualifié pour vous assurer que les conducteurs de la dérivation sont adéquats.*

1. Shut off power to the branch circuit conductors.
2. Layout the location(s) where the fixtures (A) and remote driver (B) are to be installed and identify which arm(s) is to be used as input(s) (C) and which arm(s) are to be used as output(s) (D). Cut off unused cables at the fixture and discard (Fig. 1-2). **Note:** Each of the three arms are wired to the fixture with low-voltage red and black cables (E). Any one cable pair can be used as the input and the others may be used as an output to connect another Abstract fixture up to the maximum wattage of your LED driver. When connecting multiple fixtures to another, it is recommended to install connecting arms at a location that is between the same two studs (Fig. 1).

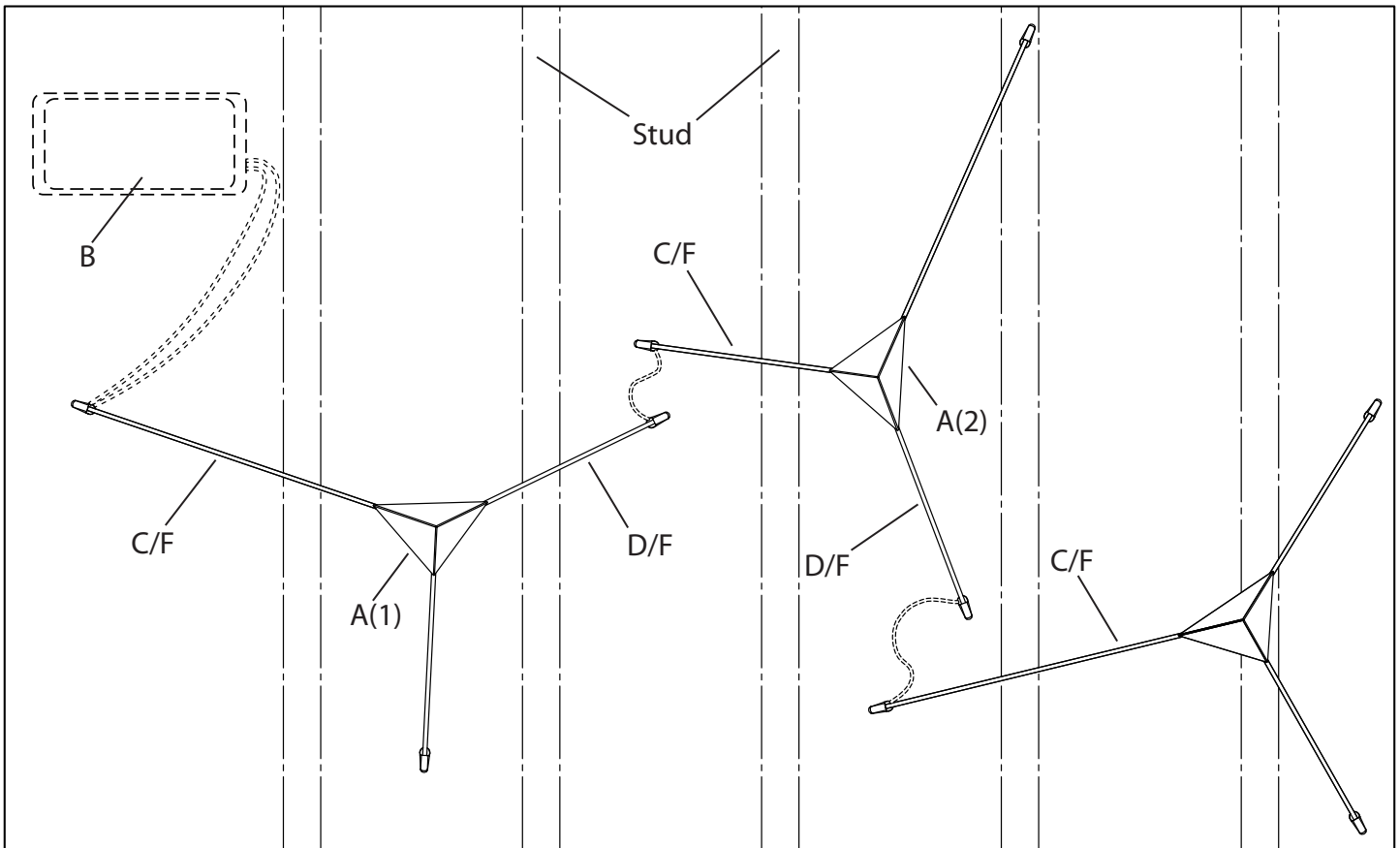


Fig. 1

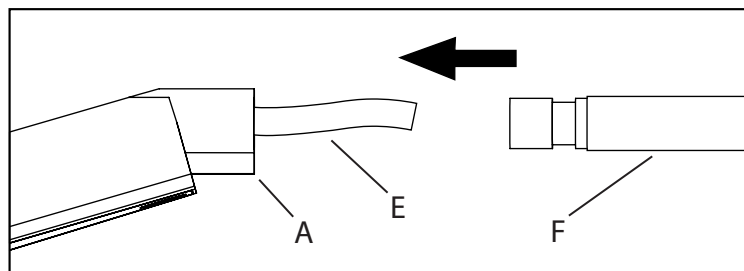


Fig. 2

April 29, 2019

3. Insert each arm (F) into the fixture (A) in accordance to Fig. 2, and tighten set screw (G) with the provided allen key (H) (Fig. 3).  
Make sure arm lengths/positions are correct according to Fig. 4.

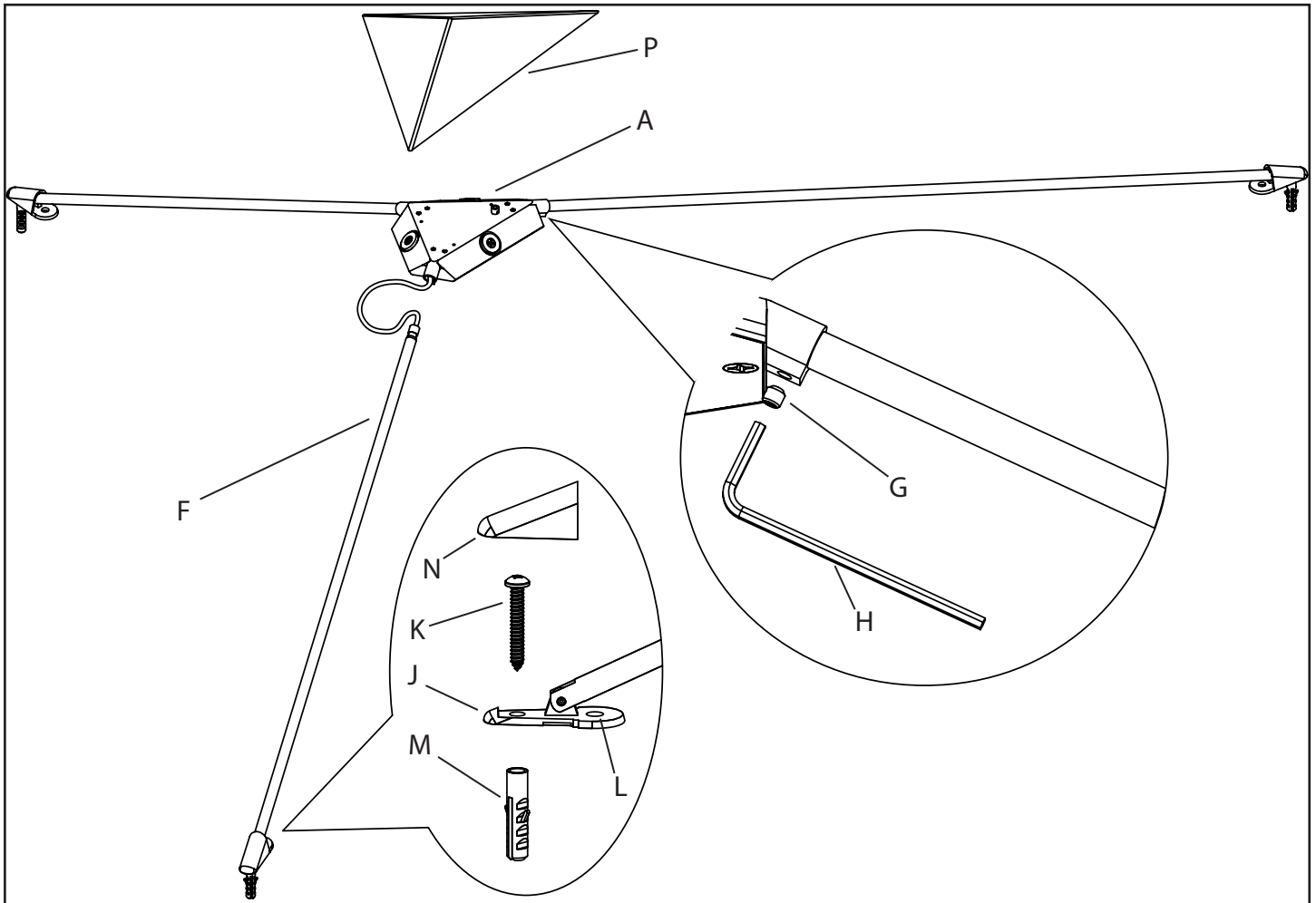


Fig. 3

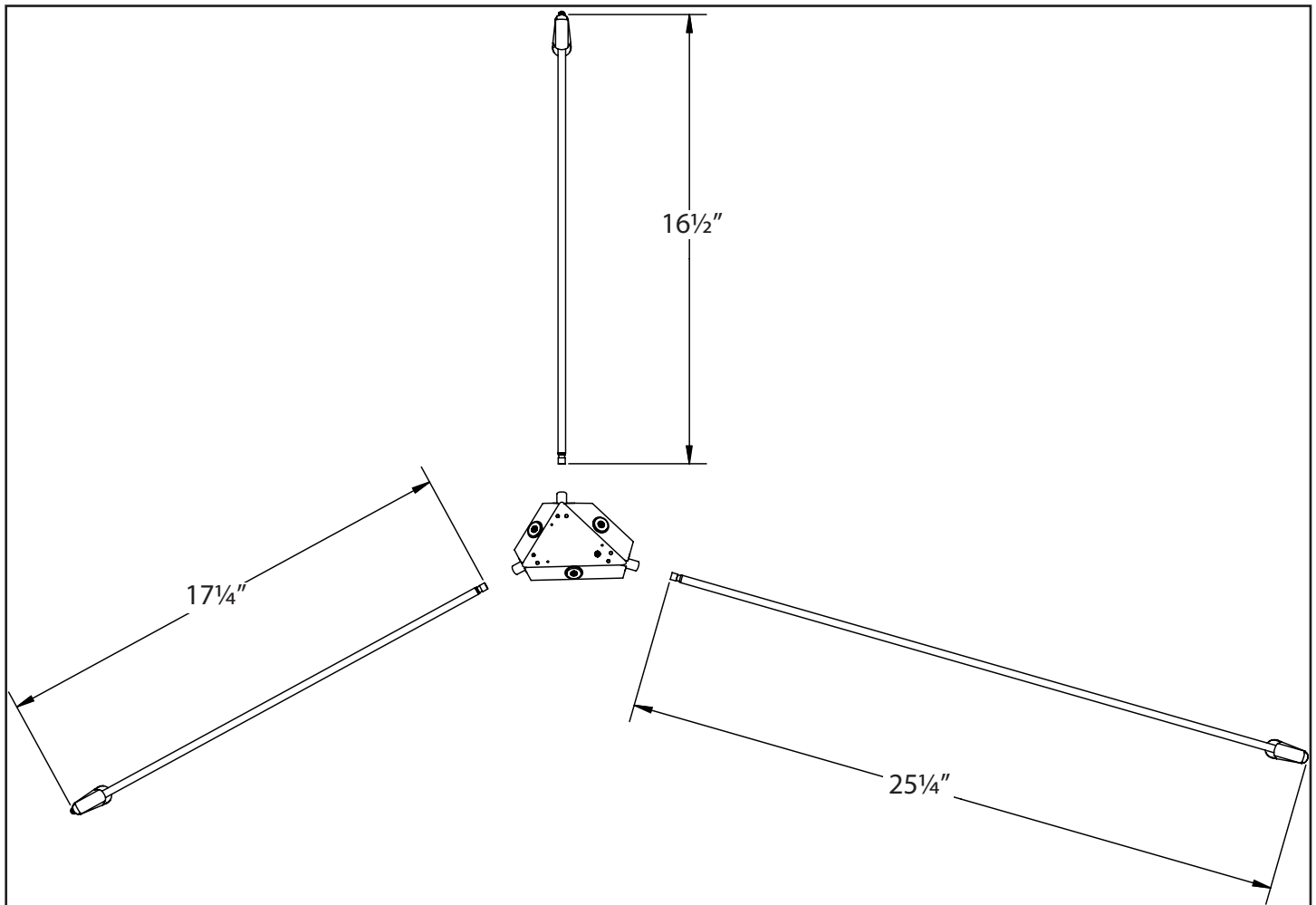


Fig. 4

4. Referencing layout from step 2, use the fixture (A) and mounting brackets (J) as a template to mark the three locations for the mounting screws (K). Mark one location designated for the input wire hole (L). If applicable, mark the location(s) designated for the output wire hole(s) (L). Drill mounting and wire holes in the wall at marked locations.
5. Route remaining cable out of the arm and through the wire hole (L) on the mounting bracket (J) (Fig. 5).

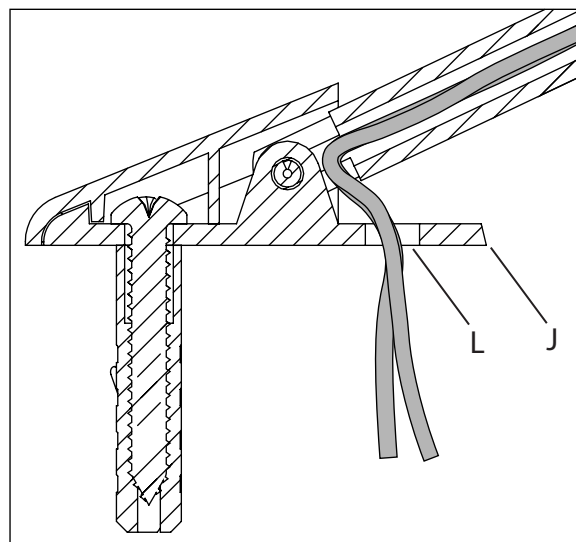


Fig. 5

6. Make appropriate electrical connections between branch circuit conductors and LED driver (B) using the provided wire nuts or equivalent:

**Note: The LED driver must be installed in a remote and accessible location near the fixture in accordance with local electrical code (Fig. 6).**

- a. Connect the LED driver's live wire (black) to the live supply wire.
- b. Connect the LED driver's neutral wire (white) to the neutral supply wire.
- c. Connect the LED driver's positive (+) output wire to the necessary length of red wire (not included) to reach the fixture input wire location.
- d. Connect the LED driver's negative (-) output wire to the necessary length of black wire (not included) to reach the fixture input wire location.
- e. Pull the low voltage driver output wires through the wall.

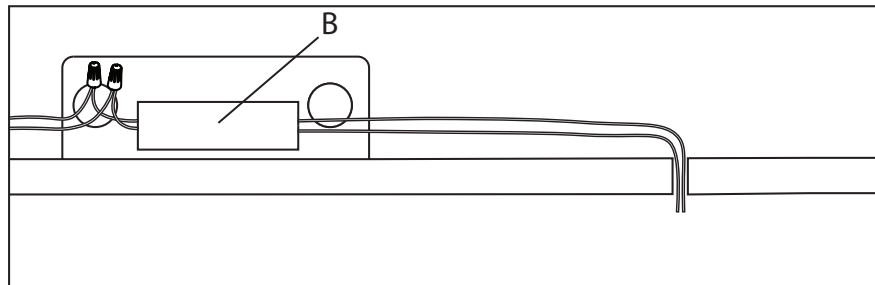


Fig. 6

7. Make appropriate electrical connections between LED driver (B) and fixture (A) using wire nuts:

- a. Connect the positive (red) low voltage driver output wire to the red fixture wire.
- b. Connect the negative (black) low voltage driver output wire to the black fixture wire.
- c. Push wires and connections back into the wire hole.

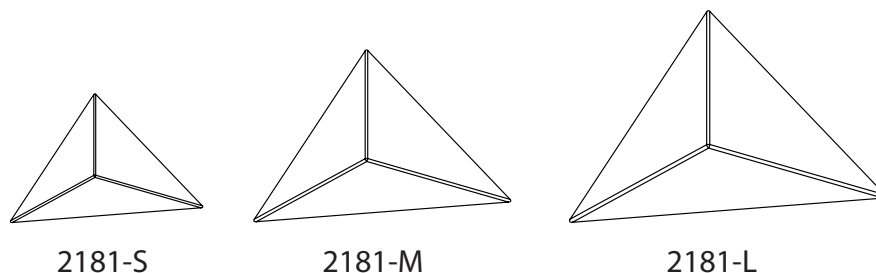
8. For connecting multiple fixtures together (if applicable), make appropriate electrical connections between fixtures using wire nuts:

- a. Pull red and black wires (not included) from the output location(s) of the first fixture to the input location of the next fixture(s)
- b. Connect the positive (red) wire from the first to the red wire of the next fixture.
- c. Connect the negative (black) wire from the first to the black wire of the next fixture.
- d. Push wires and connections back into the wire hole.

9. Mount the fixture (A) by using bracket mounting screws (K) and drywall anchors (M), then snap mounting bracket cover (N) onto each mounting bracket (J).

10. Install triangle cover (P) onto the fixture (A). **Note: Cover is held in place magnetically.**

11. Restore power to the branch circuit when the entire system is assembled.



**Note**

- This fixture is dimmable with Electronic Low Voltage (Trailing-Edge) and Incandescent (Leading-Edge) dimmers. Also dimmable with 0-10 V type dimmers for systems consisting of 4 or more fixtures.

**Care Instructions**

- **Dusting: Use a clean, dry cloth.**
- **Cleaning: To protect the finish, avoid any harsh abrasives or chemicals.**